

1 2 3 4 5 6 7 8 9 10

Complies with the Requirements

EU RoHS

A

A

B

B

C

C

D

D

E

E

F

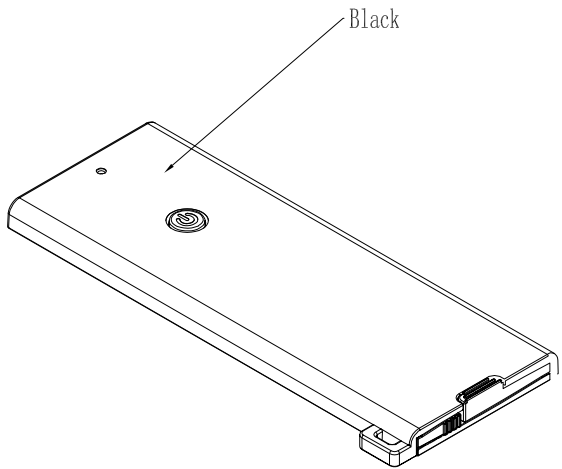
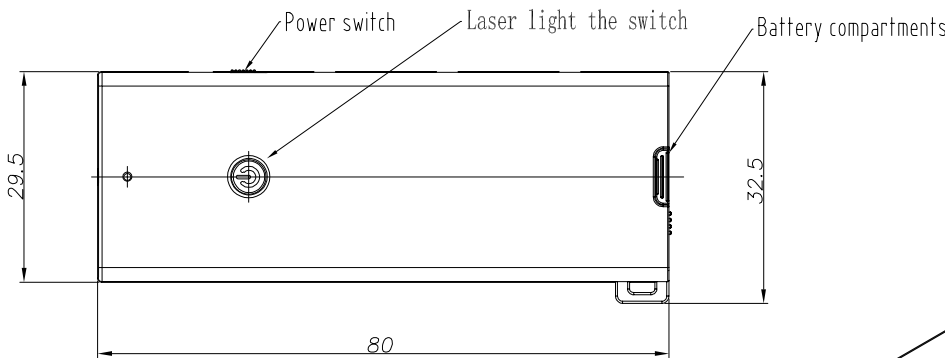
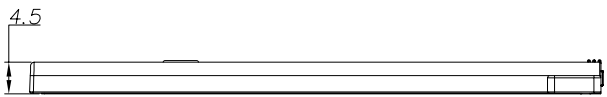
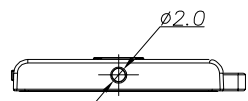
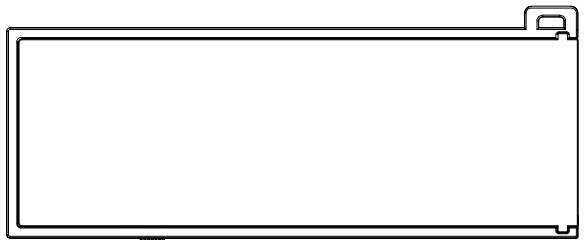
F

G

G

H

H

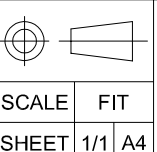


SPECIFICATION:						
PARAMETER	SYMBOL	MIN	TYPICAL	MAX	UNIT	CONDITION
OPTICAL POWER AT NORMAL	P <sub>o</sub>	0.5	0.7	0.9	mW	---
OPERATING CURRENT AT NORMAL	I <sub>op</sub>	---	---	50	mA	@3.0V
OPERATING VOLTAGE	V <sub>op</sub>	2.5	3.0	3.2	V	---
WAVE LENGTH AT PEAK EMISSION	$\lambda$	650	660	670	nm	---
OPERATING TEMP. RANGE	T <sub>op</sub>	-10	+25	+40	°C	---
STORAGE TEMP. RANGE	T <sub>stg</sub>	-20	+25	+70	°C	---
MAXIMUM BEAM SPOT	Size	---	---	17X20	mm	AT 10m @ 25°C
LASER BEAM DEFLECTION ANGLE	Angle	-3	0	+3	Degree	---
LASER MODULE	M	DOT BEAM				
OUTPUT POWER TYPE	P <sub>type</sub>	CONSTANT WAVE				
REGULATION REQUIREMENT		IEC/EN 60825-1, Class 2				
Remark	1.Measurement standard of optical power: The module is measured one minute after light up and the aperture is at 100mm from the detector at 20° angle. 2.Normal Status is for environment temperature at 25°C, V <sub>op</sub> -Typical. 3.APC ( Auto Power Control ) , Optical Power is the main SPEC for laser module, and I <sub>op</sub> is to make sure the variation basic on each condition. 4.Beam Spot Testing: Environment illumination at 200±20Lux @2m. 5.BATTERY SIZE CR2016 2Pcs.					



FILE NAME	R10P0250F0794-01
PART NAME	SPEC
PART NO	/

DESIGNED BY	Stone	TOLERANCE	±0.5
CHECKED BY		MATERIAL	/
APPROVED BY		FINISH	/
RELEASE BY	2018.07.17	UNIT	mm



NO	REV	DATE	REV	LOCATE	REV	NOTE	CHANGE	CHECK
REVISION CHART								

1 2 3 4 5 6 7 8 9 10